

WISI CD 97 G 1100

Ethernet over Coax Gateway Near End

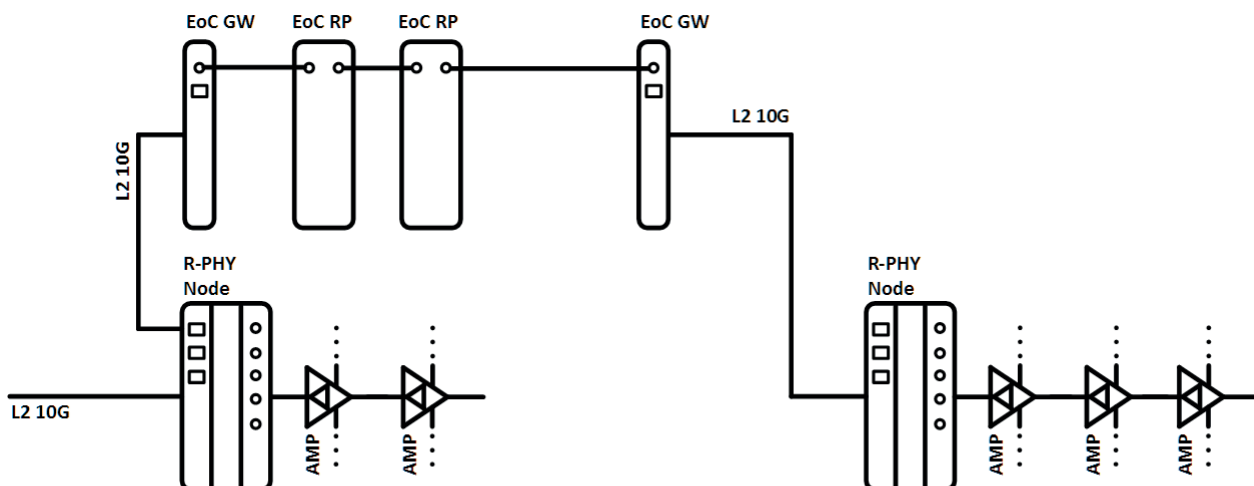


At a glance:

- Duplex Ethernet up to 10 Gbit/s per direction
- Per-Hop Coax Cable Adaptation handling different cable types
- Clock transfer incoming/outgoing from all 10G interfaces
- PTP 1588v2 transparent clock device
- Remote Management Interface (In-Band Management Interface)
- Local Access Management Interfaces

Description

As Cable Operators face ever-increasing hunger for bandwidth from their customers, they are forced to implement CAPEX intensive cluster splits. In order to reduce the impact of these cluster splits on their budgets they are looking for new technologies to provide more cost efficient solutions. Wisi has partnered with Giacomini to bring an innovative solution to the market that will provide cable operators with significant reductions in cost and an improved time to market for these kind of network upgrades. The solution is using virtual node splitting, reusing the existing Coaxial network to provide a full duplex 10G Ethernet overlay network that can be used in conjunction with DAA architectures e.g. the LR45/CD93 Remote-PHY Node. No more digging into the ground for Fiber networks, simply add the LR45 Remote-PHY Node and the HeLEOS gateway into the BK Node and turn on the service. The spectrum above the 1.2 GHz is utilised to allow existing services to remain in place whilst retaining the 10G Ethernet capability.



WISI Communications GmbH & Co. KG

Wilhelm-Sihn-Str. 5-7
75223 Niefern - Oeschelbronn, Germany

Phone: +49 7233 66-280, Fax: -350
E-Mail: export@wisi.de

Technical Modifications reserved. WISI cannot be held liable for any printing error. 22. Mai 2019, 3:36 nachm.

Technical data	
RF Interfaces	
Connector	F type, (1x Near End)
Impedance	75 Ω (nominal)
Rx Maximum input power	3 dBm
Tx Maximum output power	6 dBm
Frequency range downstream	862...2400 MHz (maximum frequency bands)
Frequency range upstream	2500...4000 MHz (maximum frequency bands)
SFP+ interfaces	
SFP0, SFP1	10GBASE
SFP Management	
MGM1	100Base-FX or SFP Direct-Attach (passive)
Local management	
MGM0	D-Sub Connector
Management	
Local	MGM 0, MGM 1
Inband	via RF
Logical interfaces	SNMP v2/v3, SSH, Webserver
General data	
Power consumption	24 W
Supply voltage	24 V DC
Max. humidity, non condensing	10...90 %
Operating temperature range	-25...+55 °C
Dimensions (width x height x depth)	250 x 40 x 100 mm
Weight	1.93 kg
EMC	IEC 61000-4-2 level 4; IEC 61000-4-4, IEC 61000-4-5